

Juniper

Extra Heavy duty canteen unit with fully welded 50mm x 50mm mild steel frames and powder coated to the highest standards.

Heavy duty perforated polished chrome metal seats and 25mm thick MFC tops. Excellent choice for that high usage and demanding canteen area.



Juniper

Specifications

Product Information

- Robust fully welded frame
- 50mm x 50mm mild steel

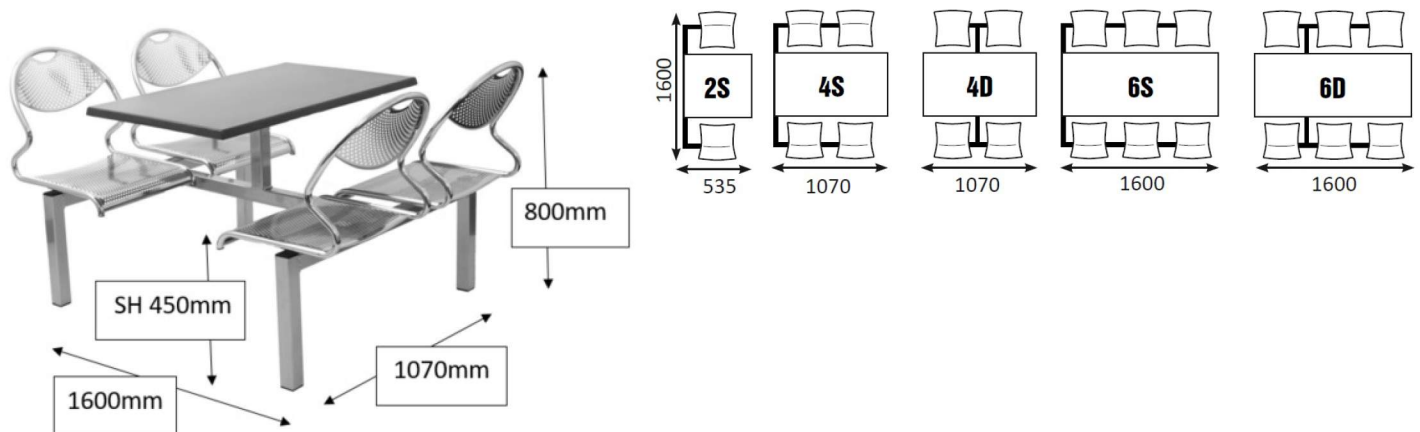
Options

- 2,4 or 6 seater options
- Black or Silver frame colour
- Beech, White or Grey table top options
- Floor fixing option

Certifications

- BS EN 16139:2013 Level 1

Dimensions (mm)



Features & Benefits

- 5 year warranty - This covers any manufacturing defect within period but does not cover 'fair wear & tear'
- Fully welded frame construction- Suitable for contract use in commercial and educational environments
- 50mm x 50mm mild steel material - Strong quality construction suitable for high usage areas
- Easy clean surfaces - Easy to keep clean and tidy in a busy working/education environment
- High impact resistant edges - Edges do not dent when moved or butted up together
- Very robust and heavy - Great for education environments which have high usage and not easily moved
- Perforated Metal seat - Ideal for extra robust canteen areas